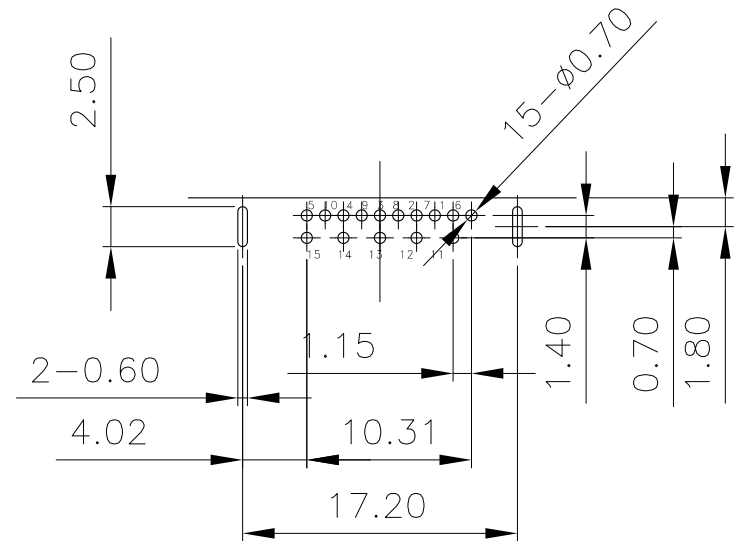


RECOMMENDED P.C.B LAYOUT  
P.B.C THICKNESS=1.20mm±0.05mm



ELECTRICAL

Operation voltage: 250V Max.  
Current rating: 2.5 Amps Max.  
Contact resistance: 30 mohms initial  
Insulation resistance: 1000 Mohms min 500V DC  
Dielectric withstanding voltage: 500V AC minute  
Temperature range: -55°C TO +85°C  
Mating cycles: 500 insertions

DVC0060-XXX

- 000: 黑色 PBT 镀镍
- 001: 蓝色 PBT 镀镍
- 002: 黑色 PBT 镀镍 (04) 针长2.1
- 003: 黑色 PBT 镀金

产品流水号  
母座反向沉板  
DVI 系列

6			
5			
4			
3	外壳	SPCC	NICKEL PLATED OR G/F PLATED
2	端子	C2680	G/F PLATED AT CONTACT AREA; TIN PLATED AT SOLDER PIN AREA NICKEL UNDERPLATED OVERALL
1	胶芯	PBT	BLACK/BLUE UL94V-0
NO.	PART NAME	MATERIAL	DESCRIPTION

东莞市旭明电子有限公司

TITLE:	短体VGA 15 F 沉板DIP CH=-0.9			
PART NO.	DBC0060-XXX	CUSTOMER NO(REV)	1G	UNIT:mm
FILE NAME	140804-01	SHEET: 1 of 1	SCALE: 1:1	A4

					0	±0.25	DESIGN		
					0.0	±0.20	CHECK		
0	14'/08/04	NEW	Chi	Captain	0.00	±0.15	APPRO.		
REV	DATE	DESCRIPTION	NAME	APPRO.	GENERAL TOLERANCE UNLESS OTHERWISE NOTED		APPRO.		