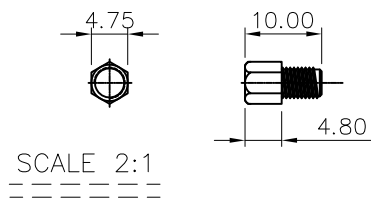
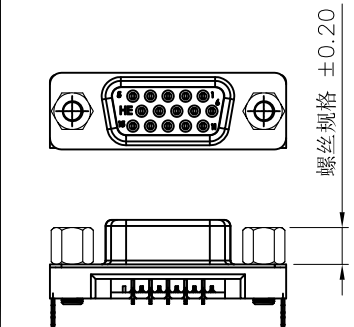
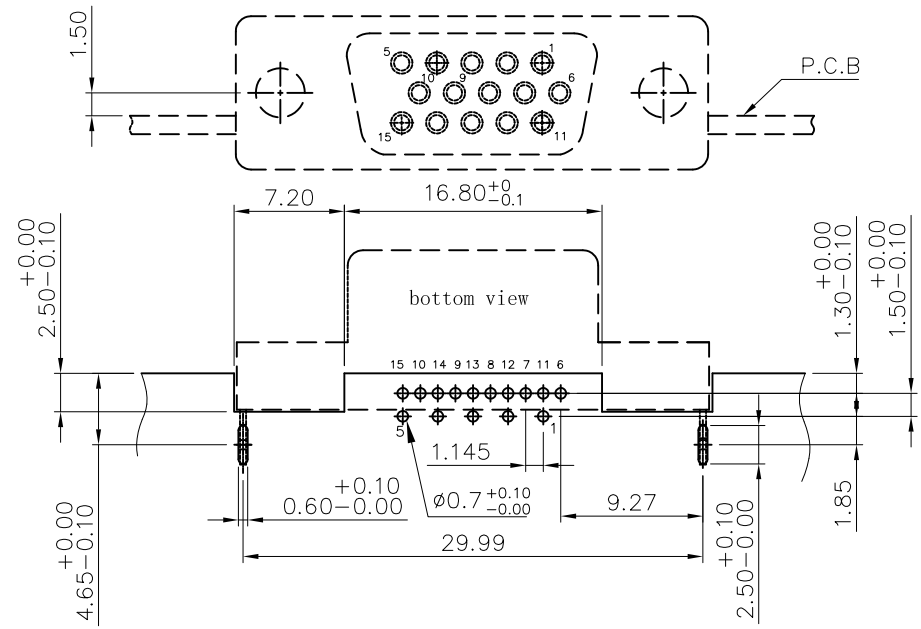


接触阻抗: 30 mΩ MAX  
 耐电压: 500V AC  
 绝缘阻抗: 1000 MΩ MIN  
 插入力MAX: 4.5Kgf  
 拔出力MIN: 0.45Kgf  
 盐雾测试: 24H  
 工作温度: -30° ~ +85°



SCALE 2:1  
 - - - - -

Recommended P.C.B Layout (component side)



NO.	PART NAME	DESCRIPTION	REMARK
5	RIVET	COPPER ALLOY	Ni PLATED
4	SHELL	SPCC	Ni PLATED
3	FORK	SPCC	Tin PLATED
2	TERMINAL	COPPER ALLOY	Au/Tin PLATED
1	HOUSING	BLACK LCP	UL94V-0

**HE** 东莞市旭明电子有限公司

TITLE:	SLIM 15PIN VGA F 正向沉板DIP CH1.5 针长2.1			
PART NO.	DBA0001-104	CUSTOMER NO(REV)	1G	UNIT:mm
FILE NAME	090224-01	SHEET: 1 of 1	SCALE: 1:1	A4

REV	DATE	DESCRIPTION	NAME	APPRO.	GENERAL TOLERANCE UNLESS OTHERWISE NOTED	APPRO.
B	14'/09/15	更新图面	chi	captain	0 ±0.25	DESIGN
A	14'/03/03	增加视图	captain	captain	0.0 ±0.20	CHECK
O	09'/02/24	NEW	captain	captain	0.00 ±0.15	APPRO.