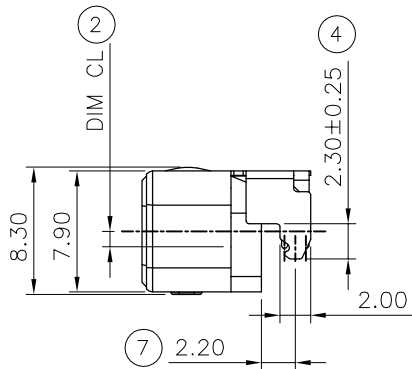
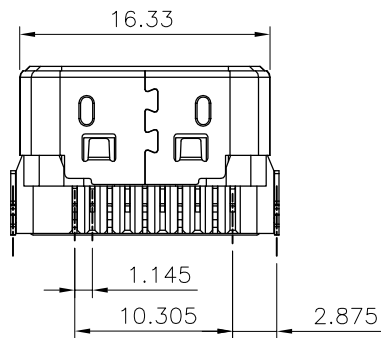
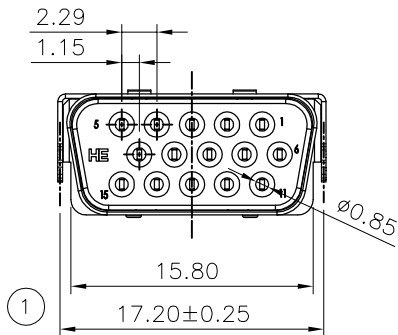
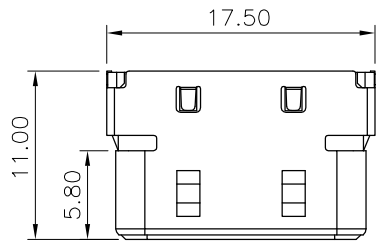
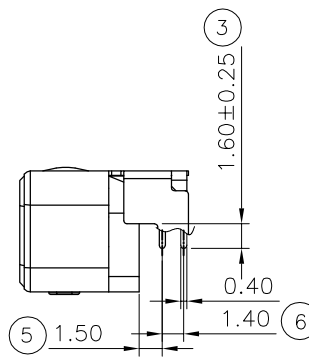


RECOMMENDED P.C.B LAYOUT (COMPONENT SIDE)
FOR P.C.B THICKNESS:1.20

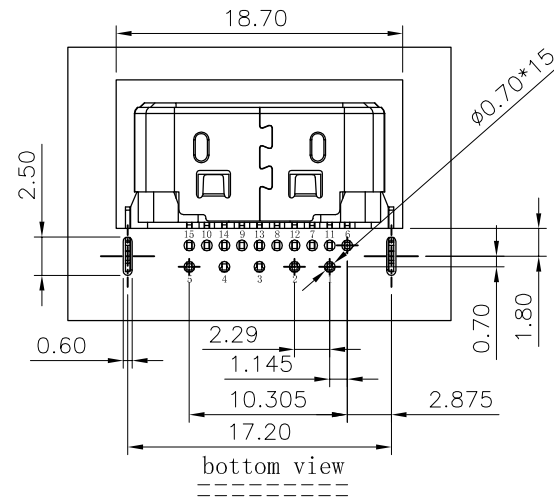
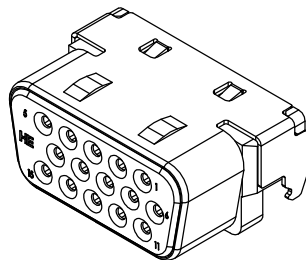


鱼叉脚位尺寸



锡脚脚位尺寸

3D示意图



材料:Material:

塑胶: LCP
端子: Contact:C2680
Plated Gold in Mating Area;
Tin/Lead On Solder Talls
外壳:Shell: SPCC
寿命测试: life test:
5000次, 插拔速度300次/小时
插入力MAX: 4.5Kgf Max.
拔出力MIN: 0.45Kgf Min.
盐雾测试: 24H

特性:Specifications:

电器 Electrical:
接触阻抗:Contact Resistance
30 mΩ MAX
耐电压:Dielectric Withstanding Voltage:
500V AC
绝缘阻抗:Insulation Resistance:
1000 MΩ MIN
Working temperayure:-30° ~+85°

5			
4			
3	铁壳	SPCC	Ni Plated
2	端子	C2680	Au/Tin Plated
1	塑胶	LCP	UL 94V-0
NO.	PART NAME	DESCRIPTION	REMARK

HE 东莞市旭明电子有限公司

TITLE:	VGA超薄短体 前十后五 正向CH=-0.5mm		
PART NO.	DBA0017-103		UNIT:mm
FILE NAME	190225-02	SHEET: 1 of 1	SCALE: 1:1 A4

REV	DATE	DESCRIPTION	NAME	APPRO.	0	±0.25	DESIGN		
A	19'02/25	外壳变更为W020024-N2-T1	Sam	Captain	0.0	±0.20	CHECK		
O	15'06/05	NEW	Chi	Captain	0.00	±0.15	APPRO.		
					GENERAL TOLERANCE UNLESS OTHERWISE NOTED				