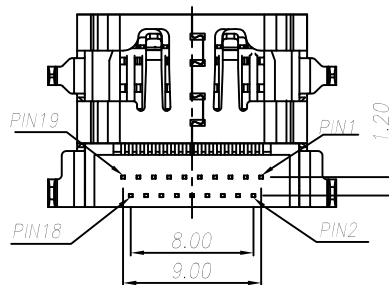
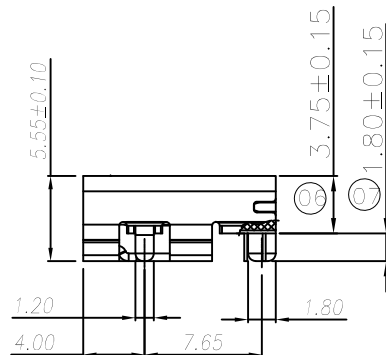
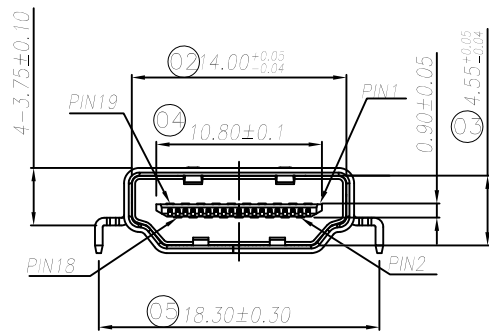


RECOMMEND PCB LAYOUT
TOLERANCE: ±0.05
TOP VIEW



SPECIFICATIONS:

1. ELECTRICAL CHARACTERISTICS
 - 1-1. CURRENT RATING: 0.5 AMP
 - 1-2. VOLTAGE RATING: 40 V
 - 1-3. CONTACT RESISTANCE: 30MILLIOHMS MAX
 - 1-4. INSULATION RESISTANCE: 100M MIN. @500V DC
 - 1-5. DIELECTRIC WITHSTANDING VOLTAGE: 500V AC FOR 1 MINUTE
2. MECHANICAL CHARACTERISTICS:
 - 2-1. INSERTION FORCE : 4.5KGF MAX.
 - 2-2. WITHDRAWING FORCE : 1KGF ~ 4KGF.
3. LIFE TEST: 10000 CYCLES
4. OPERATING TEMPERATURE: -25°C TO +85°C
5. PART NO. DESCRIPTION:

5			
4			
3	SHELL	C2680R-H Ni	T=0.5mm PLATING ALL OVER
2	TERMINAL	C2680R-H	SEE PART NO.
1	HOUSING	LCP E130i	UL94V-0 BLACK
NO.	PART NAME	MATERIAL	DESCRIPTION

HE 东莞市旭明电子有限公司

TITLE:	HDMI 19P/F正向沉板式H3.75mm铜壳镀镍			
PART NO.	HAA0015-000	CUSTOMER NO(REV)	1G	UNIT: mm
FILE NAME	140602-01	SHEET: 1 of 1	SCALE: 1:1	A4

					0	±0.25	DESIGN		
					0.0	±0.20			
0	14'/06/02	NEW	Chi	Captain	0.00	±0.15	CHECK		
REV	DATE	DESCRIPTION	NAME	APPRO.	GENERAL TOLERANCE UNLESS OTHERWISE NOTED		APPRO.		