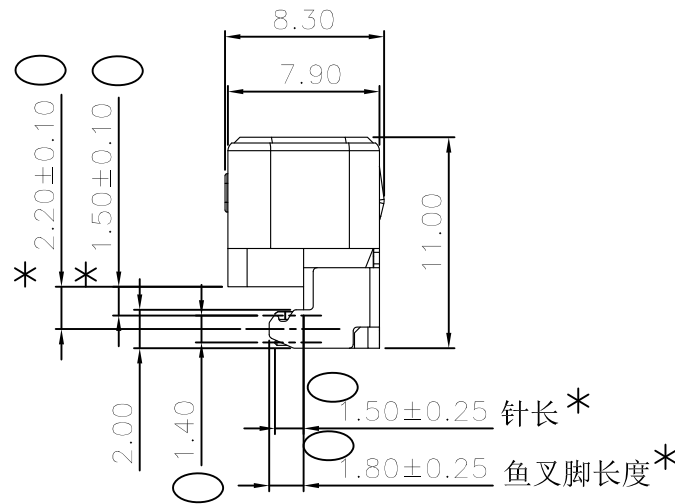
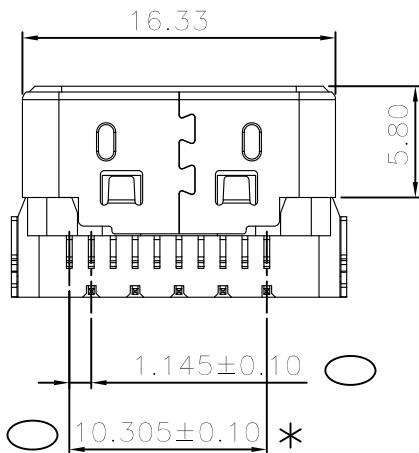
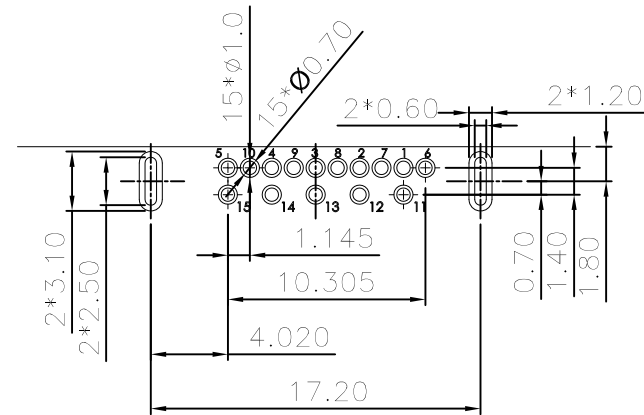


RECOMMENDED P.C.B LAYOUT (P.C.B THICKNESS:1.2mm WITHOUT LOCKING FUNCTION(反向))



接触阻抗:30 mΩ MAX

耐电压:500V AC

绝缘阻抗:1000 MΩ MIN

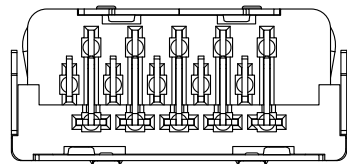
寿命测试:1500次, 插拔速度300次/小时

插入力MAX: 4.5Kgf

拔出力MIN: 0.45Kgf

盐雾测试: 24H

工作温度:-30° ~+85°



DBC0019-XXX

100: 吸塑盘包装

101: REEL包装

产品流水号

母座反向沉板

DB 系列

3	SHELL	SPCC	NICKEL PLATED
2	TERMINAL	C2680H	G/F
1	HOUSE	LCP	BLACK
NO.	PART NAME	MATERIAL	DESCRIPTION

**HE** 东莞市旭明电子有限公司

TITLE:	VGA 短体 (超薄) 母座, 反向CL=0		
PART NO.	DBC0019-XX	CUSTOMER NO(REV)	1G
UNIT: mm			
FILE NAME	120131-01	SHEET: 1 of 1	SCALE: 1:1

C	17' /06/07	修改尺寸公差	Wyl	Dave	0	±0.25	DESIGN		
B	16' /08/16	增加REEL包装	Chi	Captain	0.0	±0.20			
A	12' /06/08	DEL CAP	Captain	Captain	0.00	±0.15	CHECK		
REV	DATE	DESCRIPTION	NAME	APPRO.	GENERAL TOLERANCE UNLESS OTHERWISE NOTED		APPRO.		