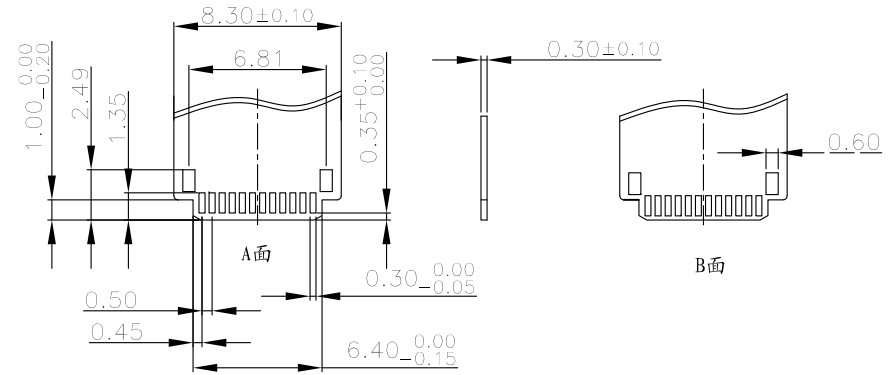
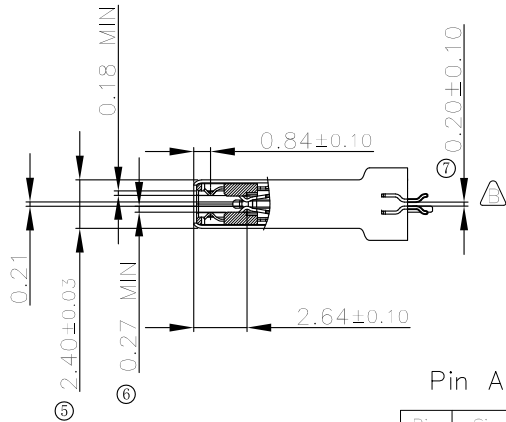
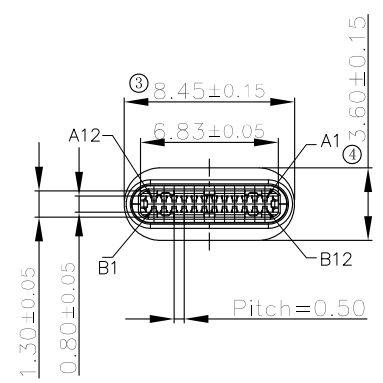


备注:

- 1.电气特性
- 1.1:Vbus引脚为5A,1.25用于VCONN和GND引脚
所有其他引脚为0.25A.
- 1.2:接触阻抗: INITIAL 40mΩ MAX, AFTER 50mΩ Max.
- 1.3:绝缘阻抗: 100MΩ MIN
- 1.4:耐压测试: 100V AC
- 1.5:整体插入力: 5~20N
- 1.6:整体拔出力: 8~20N
- 1.7:插拔次数: 10000次
- 1.8:工作温度: -30°C~85°C

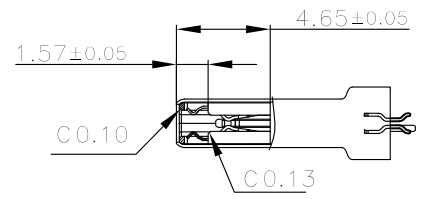


Pin Assignments

Pin No	Signal Name	Signal Name	Pin No
A1	GND	GND	B12
A2	TX1+	RX1+	B11
A3	TX1-	RX1-	B10
A4	Vbus	Vbus	B9
A5	CC	SBU2	B8
A6	D+		B7
A7	D-		B6
A8	SBU1	Vconn	B5
A9	Vbus	Vbus	B4
A10	RX2-	TX2-	B3
A11	RX2+	TX2+	B2
A12	GND	GND	B1

PCB Layout

NO.	PART NAME	MATERIAL	DESCRIPTION
6			
5	EMI弹片	不锈钢 T=0.10	
4	卡钩	不锈钢 T=0.20	
3	外壳	不锈钢 T=0.15	Ni PLATED
2	端子	C5191 T=0.15	GOLD/TIN PLATED
1	胶芯	LCP	UL 94V-0



HE 东莞市旭明电子有限公司

REV	DATE	DESCRIPTION	NAME	APPRO.	GENERAL TOLERANCE UNLESS OTHERWISE NOTED
B	19'/12/04	修改夹板尺寸公差	HQ	Stn	0 ±0.20
A	19'/06/03	NEW	HQ	LZX	0.00 ±0.15

DESIGN	CHECK	APPRO.

TITLE:	24PIN 夹板0.2mm拉伸一体式 接触区镀金2u表面 铁壳电镀 带胶塞耐高温		
PART NO.	UCU0083-001	CUSTOMER NO(REV)	UNIT: mm
FILE NAME	190603-01	SHEET: 1 of 1	SCALE: 1:1 A4