

NOTE:

- ELECTRICAL CHARACTERISTICS:
 - CONTACT RESISTANCE: 40mΩ Max FOR INITIAL. 50mΩ CHANGE AFTER TEST. MEASURE AT 20mV, 100mA.
 - CONTACT CURRENT RATING: 5A FOR VBUS PIN; 1.25A FOR VCONN PIN.
 - DIELECTRIC WITHSTANDING VOLTAGE: 100V AC R.M.S.
 - INSULATION RESISTANCE 100MΩ Min
 - OPERATING TEMPERATURE: -40°C~85°C
- MECHANICAL CHARACTERISTICS:
 - MATING FORCE: 5~20 N.
 - UNMATED FORCE: 8~20N AFTER TEST
 - DURABILITY: 10,000 CYCLES

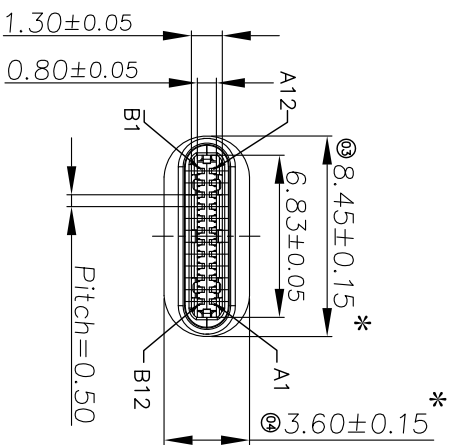


TABLE 1: PIN DEFINE

PIN	SIGNAL NAME	PIN	SIGNAL NAME
A12	GND	B1	GND
A11		B2	
A10		B3	
A9	VBUS	B4	VBUS
A8		B5	
A7	Dn1	B6	Dn1
A6	Dp1	B7	Dp1
A5		B8	
A4	VBUS	B9	VBUS
A3		B10	
A2		B11	
A1	GND	B12	GND

HE 东莞市旭明电子有限公司

TITLE: 夹板0.8 外壳不锈钢镀镍 端子镀2U" 弯端2.0板 R2=56K C1=10NF

PART NO.	1020153	CUSTOMER NO(REV)		UNIT: mm
FILE NAME	USBC0105	SHEET: 1 of 1	SCALE: 1:1	A4

REV	DATE	DESCRIPTION	NAME	APPRO.	GENERAL TOLERANCE UNLESS OTHERWISE NOTED	DESIGN	APPRO.
B	20' /10 /18	新编料号发行	HQ	Shh	0	±0.25	
A	20' /03 /07	NEW	HQ	Shh	0.0	±0.20	